



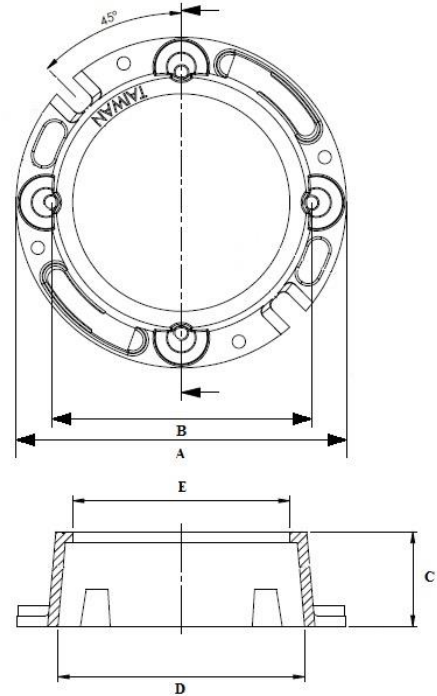
4700 W. 160th St.
Cleveland, OH 44135
PH:800-321-9532
FX:800-321-9535
www.oatey.com

TECHNICAL SPECIFICATION

**CAST IRON
CLOSET FLANGE**



TECHNICAL SPECIFICATION: Oatey Cast Iron Closet Flanges are designed for use on plastic or heavy weight, no hub or service weight soil pipe. Does not require caulking. Comes complete with body, brass ring, bolts and gasket.



PHYSICAL/CHEMICAL PROPERTIES

Material/Color ABS Plastic = Black
 PVC Plastic = White
 Cast Iron= Red

DIRECTIONS FOR USE

For use on the outside of pipe. Place over pipe so that gasket secures to the pipe. Tighten integrated fasteners to pipe to secure closet flange. Use fasteners to secure flange to sub-flooring and add closet bolts to secure toilet fixture.

Size	A	B	C	D	E
3"	6.95"	6.05"	2.0"	4.21"	3.57"
4"	6.70"	5.46"	2.0"	5.31"	4.72"

PRODUCT NUMBER	DESCRIPTION	PACK	CARTON WEIGHT
42253	3" Cast Iron Flange w/o test cap	6	25
42255	4" Cast Iron Flange w/o test cap	6	25
42256	4" Cast Iron Flange w/ test cap	6	25